

PLEASE CHECK WWW.MOLEX.COM FOR LATEST PART INFORMATION

Part Number: [0901210960](#)
Status: **Active**
Description: 2.54mm (.100") Pitch C-Grid III™ Header, Single Row, Right Angle, 40 Circuits, 0.76µm (30µ") Gold (Au) Selective Plating

Documents:

[3D Model](#)
[Drawing \(PDF\)](#)

[RoHS Certificate of Compliance \(PDF\)](#)

General

Product Family	PCB Headers
Series	90121
Application	Wire-to-Board
Product Name	C-Grid III™

Physical

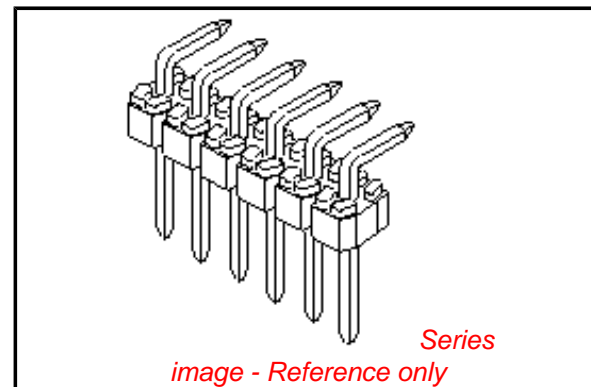
Breakaway	Yes
Circuits (Loaded)	40
Circuits (maximum)	40
Color - Resin	Black
First Mate / Last Break	No
Glow-Wire Compliant	No
Guide to Mating Part	No
Keying to Mating Part	None
Lock to Mating Part	None
Material - Metal	Brass
Material - Plating Mating	Gold
Material - Plating Termination	Tin
Material - Resin	Polyester
Number of Rows	1
Orientation	Right Angle
PC Tail Length (in)	0.114 In
PC Tail Length (mm)	2.90 mm
PCB Locator	No
PCB Retention	None
Packaging Type	Bag
Pitch - Mating Interface (in)	0.100 In
Pitch - Mating Interface (mm)	2.54 mm
Plating min: Mating (µin)	30
Plating min: Mating (µm)	0.76
Polarized to Mating Part	No
Polarized to PCB	No
Shrouded	No
Stackable	No
Temperature Range - Operating	-55°C to +125°C
Termination Interface: Style	Through Hole

Electrical

Current - Maximum per Contact	3A
Voltage - Maximum	350V

Solder Process Data

Duration at Max. Process Temperature (seconds)	5
Lead-free Process Capability	Wave Capable (TH only)
Max. Cycles at Max. Process Temperature	1
Process Temperature max. C	260



EU RoHS

ELV and RoHS Compliant
REACH SVHC
 Not Reviewed
Halogen-Free
Status
Not Reviewed

China RoHS



Need more information on product environmental compliance?

Email productcompliance@molex.com
 For a multiple part number RoHS Certificate of Compliance, [click here](#)

Please visit the [Contact Us](#) section for any non-product compliance questions.

Search Parts in this Series
[90121Series](#)

Material Info

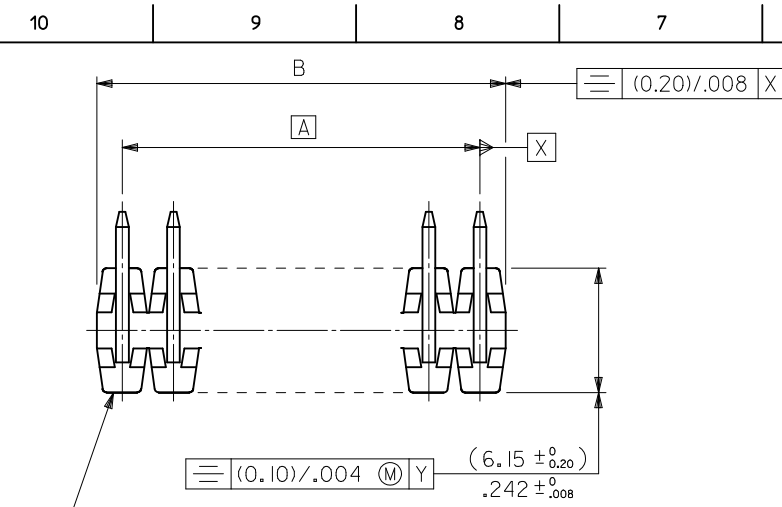
Reference - Drawing Numbers

Sales Drawing

SDA-90121

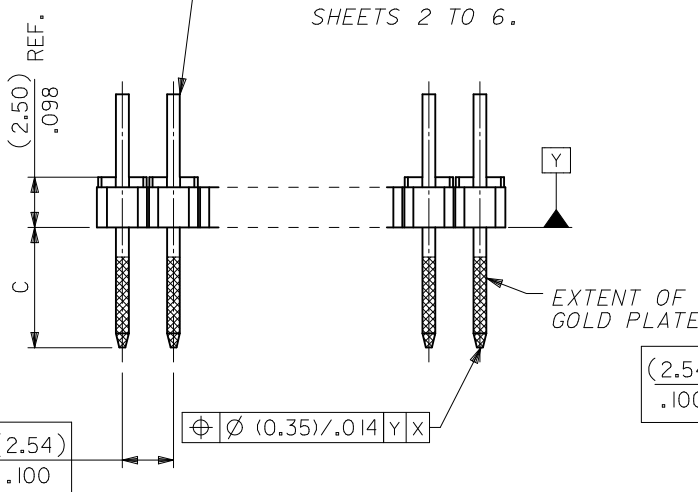
This document was generated on 03/30/2010

PLEASE CHECK WWW.MOLEX.COM FOR LATEST PART INFORMATION



WAFER: 15% GLASS FILLED POLYESTER TO UL 94V-0. COLOUR: BLACK.

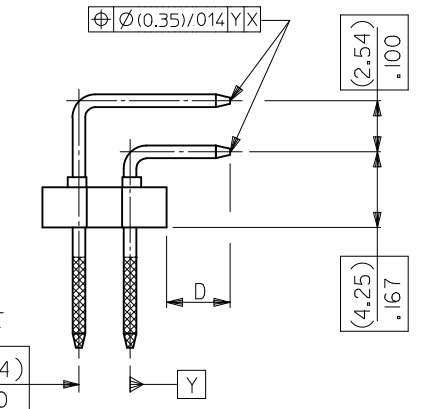
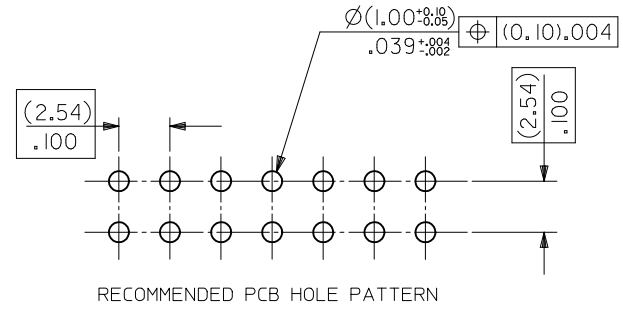
PINS: (0.635)/.025 SQ. BRASS WIRE. PLATED AS PER SHEETS 2 TO 6.



NOTES
 2. RECOMMENDED PCB THICKNESS: 1.6MM
 3. PRODUCT SPECIFICATION: PS-99020-0001

CKT SIZE	DIM. "A"		DIM. "B" ($\begin{smallmatrix} \pm 0.20 \\ -0.35 \\ -0.008 \\ -0.014 \end{smallmatrix}$)		CKT SIZE	DIM. "A"		DIM. "B" ($\begin{smallmatrix} \pm 0.20 \\ \pm .008 \end{smallmatrix}$)	
2X 1			(2.54)	.100	2X21	(50.80)	2.000	(53.34)	2.100
2X 2	(2.54)	.100	(5.08)	.200	2X22	(53.34)	2.100	(55.88)	2.200
2X 3	(5.08)	.200	(7.62)	.300	2X23	(55.88)	2.200	(58.42)	2.300
2X 4	(7.62)	.300	(10.16)	.400	2X24	(58.42)	2.300	(60.96)	2.400
2X 5	(10.16)	.400	(12.70)	.500	2X25	(60.96)	2.400	(63.50)	2.500
2X 6	(12.70)	.500	(15.24)	.600	2X26	(63.50)	2.500	(66.04)	2.600
2X 7	(15.24)	.600	(17.78)	.700	2X27	(66.04)	2.600	(68.58)	2.700
2X 8	(17.78)	.700	(20.32)	.800	2X28	(68.58)	2.700	(71.12)	2.800
2X 9	(20.32)	.800	(22.86)	.900	2X29	(71.12)	2.800	(73.66)	2.900
2X10	(22.86)	.900	(25.40)	1.000	2X30	(73.66)	2.900	(76.20)	3.000
2X11	(25.40)	1.000	(27.94)	1.100	2X31	(76.20)	3.000	(78.74)	3.100
2X12	(27.94)	1.100	(30.48)	1.200	2X32	(78.74)	3.100	(81.28)	3.200
2X13	(30.48)	1.200	(33.02)	1.300	2X33	(81.28)	3.200	(83.82)	3.300
2X14	(33.02)	1.300	(35.56)	1.400	2X34	(83.82)	3.300	(86.36)	3.400
2X15	(35.56)	1.400	(38.10)	1.500	2X35	(86.36)	3.400	(88.90)	3.500
2X16	(38.10)	1.500	(40.64)	1.600	2X36	(88.90)	3.500	(91.44)	3.600
2X17	(40.64)	1.600	(43.18)	1.700	2X37	(91.44)	3.600	(93.98)	3.700
2X18	(43.18)	1.700	(45.72)	1.800	2X38	(93.98)	3.700	(96.52)	3.800
2X19	(45.72)	1.800	(48.26)	1.900	2X39	(96.52)	3.800	(99.06)	3.900
2X20	(48.26)	1.900	(50.80)	2.000	2X40	(99.06)	3.900	(101.60)	4.000

NOTES
 1. FOR ASSY NUMBERS WITH FINISH OPTIONS AND DIM'S C & D SEE SHEETS 2 TO 6.



UPDATE TOL SYMMETRY	2010/04/15	DRWN:SKANG	2010/04/17	CHKD:ATSEE	2010/04/27	APPR:MLONG	2010/04/27
REV	M1	DESCRIPTION					

QUALITY SYMBOLS	GENERAL TOLERANCES (UNLESS SPECIFIED)	
	mm	INCH
$\nabla_A = 0$	4 PLACES ± ---	± ---
$\nabla_B = 0$	3 PLACES ± ---	± ---
$\nabla_C = 0$	2 PLACES ± ---	± ---
	1 PLACE ± ---	± ---
	ANGULAR ± ---°	

DIMENSION STYLE		SCALE	DESIGN UNITS	THIRD ANGLE PROJECTION
MM ONLY		NTS	METRIC	
DRAWN BY	DATE	TITLE		
DB	16/07/87	C-GRID III DUAL ROW RIGHT ANGLE HEADER		
CHECKED BY	DATE			
ATSEE	2010/04/27	MOLEX INCORPORATED		
APPROVED BY	DATE			
MLONG	2010/04/27	SDA-90122		
MATERIAL NO.	DOCUMENT NO.			
SEE TABLE		SHEET NO. 1 OF 6		

DRAFT WHERE APPLICABLE MUST REMAIN WITHIN DIMENSIONS

THIS DRAWING CONTAINS INFORMATION THAT IS PROPRIETARY TO MOLEX INCORPORATED AND SHOULD NOT BE USED WITHOUT WRITTEN PERMISSION

10 9 8 7 6 5 4 3 2 1

CIRCUIT SIZE	PLATING TYPE A	PLATING TYPE E	PLATING TYPE F
	PART NO.	PART NO.	PART NO.
2 X 1	90122-0121	90122-0761	90122-0921
2 X 2	▲ -0122	▲ -0762	▲ -0922
2 X 3	-0123	-0763	-0923
2 X 4	-0124	-0764	-0924
2 X 5	-0125	-0765	-0925
2 X 6	-0126	-0766	-0926
2 X 7	-0127	-0767	-0927
2 X 8	-0128	-0768	-0928
2 X 9	-0129	-0769	-0929
2 X 10	-0130	-0770	-0930
2 X 11	-0131	-0771	-0931
2 X 12	-0132	-0772	-0932
2 X 13	-0133	-0773	-0933
2 X 14	-0134	-0774	-0934
2 X 15	-0135	-0775	-0935
2 X 16	-0136	-0776	-0936
2 X 17	-0137	-0777	-0937
2 X 18	-0138	-0778	-0938
2 X 19	-0139	-0779	-0939
2 X 20	-0140	-0780	-0940
2 X 21	-0141	-0781	-0941
2 X 22	-0142	-0782	-0942
2 X 23	-0143	-0783	-0943
2 X 24	-0144	-0784	-0944
2 X 25	-0145	-0785	-0945
2 X 26	-0146	-0786	-0946
2 X 27	-0147	-0787	-0947
2 X 28	-0148	-0788	-0948
2 X 29	-0149	-0789	-0949
2 X 30	-0150	-0790	-0950
2 X 31	-0151	-0791	-0951
2 X 32	-0152	-0792	-0952
2 X 33	-0153	-0793	-0953
2 X 34	-0154	-0794	-0954
2 X 35	-0155	-0795	-0955
2 X 36	-0156	-0796	-0956
2 X 37	-0157	-0797	-0957
2 X 38	-0158	-0798	-0958
2 X 39	▼ -0159	▼ -0799	▼ -0959
2 X 40	90122-0160	90122-0800	90122-0960

DIM C (±0.20) ±.008 (6.75) .266

DIM D (±0.25) ±.010 (2.90) .114

NOTES:
FOR PLATING VARIATIONS SEE
ENG.STD. SDES-99000-0003.

UPDATE TOL SYMMETRY EC NO: S2010-0867 DRWN:SKANG CHKD:ATSEE APPR:MLONG	2010/04/15	2010/04/17	2010/04/27	QUALITY SYMBOLS $\nabla_A = 0$ $\nabla_E = 0$ $\nabla_F = 0$	GENERAL TOLERANCES (UNLESS SPECIFIED)		DIMENSION STYLE MM ONLY		SCALE NTS	DESIGN UNITS METRIC	THIRD ANGLE PROJECTION			
	mm		INCH		4 PLACES	± ---	± ---	DRAWN BY DB	DATE 16/07/87	C-GRID III DUAL ROW RIGHT ANGLE HEADER MOLEX INCORPORATED				
	3 PLACES		± ---		± ---	CHECKED BY ATSEE	DATE 2010/04/27	TITLE						
	2 PLACES		± ---		± ---	APPROVED BY MLONG	DATE 2010/04/27	MATERIAL NO.						
1 PLACE		± ---		± ---	ANGULAR ± ---°		DOCUMENT NO.							
DRAFT WHERE APPLICABLE MUST REMAIN WITHIN DIMENSIONS					SEE TABLE			SDA-90122		SHEET NO. 2 OF 6				
					THIS DRAWING CONTAINS INFORMATION THAT IS PROPRIETARY TO MOLEX INCORPORATED AND SHOULD NOT BE USED WITHOUT WRITTEN PERMISSION									

9 8 7 6 5 4 3 2 1

	10	9	8	7	6	5	4	3	2	1		
F	CIRCUIT SIZE	PLATING TYPE A PART NO.	PLATING TYPE E PART NO.	PLATING TYPE F PART NO.			CIRCUIT SIZE	PLATING TYPE A PART NO.	PLATING TYPE E PART NO.	PLATING TYPE F PART NO.		
		2 X 1	90122-0041	90122-0681	90122-0841			2 X 1	90122-0081	90122-0721	90122-0881	
		2 X 2	▲ -0042	▲ -0682	▲ -0842			2 X 2	▲ -0082	▲ -0722	▲ -0882	
		2 X 3	-0043	-0683	-0843			2 X 3	-0083	-0723	-0883	
		2 X 4	-0044	-0684	-0844			2 X 4	-0084	-0724	-0884	
		2 X 5	-0045	-0685	-0845			2 X 5	-0085	-0725	-0885	
		2 X 6	-0046	-0686	-0846			2 X 6	-0086	-0726	-0886	
		2 X 7	-0047	-0687	-0847			2 X 7	-0087	-0727	-0887	
		2 X 8	-0048	-0688	-0848			2 X 8	-0088	-0728	-0888	
		2 X 9	-0049	-0689	-0849			2 X 9	-0089	-0729	-0889	
		2 X 10	-0050	-0690	-0850			2 X 10	-0090	-0730	-0890	
		2 X 11	-0051	-0691	-0851			2 X 11	-0091	-0731	-0891	
		2 X 12	-0052	-0692	-0852			2 X 12	-0092	-0732	-0892	
		2 X 13	-0053	-0693	-0853			2 X 13	-0093	-0733	-0893	
		2 X 14	-0054	-0694	-0854			2 X 14	-0094	-0734	-0894	
		2 X 15	-0055	-0695	-0855			2 X 15	-0095	-0735	-0895	
		2 X 16	-0056	-0696	-0856			2 X 16	-0096	-0736	-0896	
		2 X 17	-0057	-0697	-0857			2 X 17	-0097	-0737	-0897	
		2 X 18	-0058	-0698	-0858			2 X 18	-0098	-0738	-0898	
		2 X 19	-0059	-0699	-0859			2 X 19	-0099	-0739	-0899	
		2 X 20	-0060	-0700	-0860			2 X 20	-0100	-0740	-0900	
		2 X 21	-0061	-0701	-0861			2 X 21	-0101	-0741	-0901	
		2 X 22	-0062	-0702	-0862			2 X 22	-0102	-0742	-0902	
		2 X 23	-0063	-0703	-0863			2 X 23	-0103	-0743	-0903	
		2 X 24	-0064	-0704	-0864			2 X 24	-0104	-0744	-0904	
		2 X 25	-0065	-0705	-0865			2 X 25	-0105	-0745	-0905	
		2 X 26	-0066	-0706	-0866			2 X 26	-0106	-0746	-0906	
		2 X 27	-0067	-0707	-0867			2 X 27	-0107	-0747	-0907	
		2 X 28	-0068	-0708	-0868			2 X 28	-0108	-0748	-0908	
		2 X 29	-0069	-0709	-0869			2 X 29	-0109	-0749	-0909	
		2 X 30	-0070	-0710	-0870			2 X 30	-0110	-0750	-0910	
		2 X 31	-0071	-0711	-0871			2 X 31	-0111	-0751	-0911	
		2 X 32	-0072	-0712	-0872			2 X 32	-0112	-0752	-0912	
		2 X 33	-0073	-0713	-0873			2 X 33	-0113	-0753	-0913	
		2 X 34	-0074	-0714	-0874			2 X 34	-0114	-0754	-0914	
		2 X 35	-0075	-0715	-0875			2 X 35	-0115	-0755	-0915	
		2 X 36	-0076	-0716	-0876			2 X 36	-0116	-0756	-0916	
		2 X 37	-0077	-0717	-0877			2 X 37	-0117	-0757	-0917	
		2 X 38	-0078	-0718	-0878			2 X 38	-0118	-0758	-0918	
		2 X 39	▼ -0079	▼ -0719	▼ -0879			2 X 39	▼ -0119	▼ -0759	▼ -0919	
2 X 40	90122-0080	90122-0720	90122-0880			2 X 40	90122-0120	90122-0760	90122-0920			

DIM C (±0.20) ±.008 (5.75) .226

DIM D (±0.25) ±.010 (2.90) .114

DIM C (±0.20) ±.008 (5.75) .226

DIM D (±0.25) ±.010 (4.50) .177

NOTES:
FOR PLATING VARIATIONS SEE
ENG.STD. SDES-99000-0003.

UPDATE TOL SYMMETRY EC NO: S2010-0867 DRWN:SKANG 2010/04/15 CHKD:ATSEE 2010/04/27 APPR:MLONG 2010/04/27	QUALITY SYMBOLS	GENERAL TOLERANCES (UNLESS SPECIFIED)	DIMENSION STYLE	SCALE	DESIGN UNITS	THIRD ANGLE PROJECTION	
	$F_A=0$ $F_G=0$ $F_P=0$	mm INCH	MM ONLY	NTS	METRIC		
		4 PLACES ± --- ± --- 3 PLACES ± --- ± --- 2 PLACES ± --- ± --- 1 PLACE ± --- ± ---	DRAWN BY DATE DB 16/07/87	TITLE			
		ANGULAR ± ---°	CHECKED BY DATE ATSEE 2010/04/27	C-GRID III DUAL ROW RIGHT ANGLE HEADER			
		DRAFT WHERE APPLICABLE MUST REMAIN WITHIN DIMENSIONS	APPROVED BY DATE MLONG 2010/04/27	MOLEX INCORPORATED			
			MATERIAL NO.	DOCUMENT NO.	SHEET NO.		
			SEE TABLE	SDA-90122	3 OF 6		
			THIS DRAWING CONTAINS INFORMATION THAT IS PROPRIETARY TO MOLEX INCORPORATED AND SHOULD NOT BE USED WITHOUT WRITTEN PERMISSION				

10 9 8 7 6 5 4 3 2 1

CIRCUIT SIZE	PLATING TYPE A PART NO.	PLATING TYPE E PART NO.	PLATING TYPE F PART NO.
2 X 1	90122-0161	90122-0801	90122-0961
2 X 2	▲ -0162	▲ -0802	▲ -0962
2 X 3	-0163	-0803	-0963
2 X 4	-0164	-0804	-0964
2 X 5	-0165	-0805	-0965
2 X 6	-0166	-0806	-0966
2 X 7	-0167	-0807	-0967
2 X 8	-0168	-0808	-0968
2 X 9	-0169	-0809	-0969
2 X 10	-0170	-0810	-0970
2 X 11	-0171	-0811	-0971
2 X 12	-0172	-0812	-0972
2 X 13	-0173	-0813	-0973
2 X 14	-0174	-0814	-0974
2 X 15	-0175	-0815	-0975
2 X 16	-0176	-0816	-0976
2 X 17	-0177	-0817	-0977
2 X 18	-0178	-0818	-0978
2 X 19	-0179	-0819	-0979
2 X 20	-0180	-0820	-0980
2 X 21	-0181	-0821	-0981
2 X 22	-0182	-0822	-0982
2 X 23	-0183	-0823	-0983
2 X 24	-0184	-0824	-0984
2 X 25	-0185	-0825	-0985
2 X 26	-0186	-0826	-0986
2 X 27	-0187	-0827	-0987
2 X 28	-0188	-0828	-0988
2 X 29	-0189	-0829	-0989
2 X 30	-0190	-0830	-0990
2 X 31	-0191	-0831	-0991
2 X 32	-0192	-0832	-0992
2 X 33	-0193	-0833	-0993
2 X 34	-0194	-0834	-0994
2 X 35	-0195	-0835	-0995
2 X 36	-0196	-0836	-0996
2 X 37	-0197	-0837	-0997
2 X 38	-0198	-0838	-0998
2 X 39	▼ -0199	▼ -0839	▼ -0999
2 X 40	90122-0200	90122-0840	90122-1000

DIM C (±0.20) ±.008 (6.75) .266

DIM D (±0.25) ±.010 (4.50) .177

NOTES:
FOR PLATING VARIATIONS SEE
ENG.STD. SDES-99000-0003.

UPDATE TOL SYMMETRY EC NO: S2010-0867 DRWN:SKANG 2010/04/15 CHKD:ATSEE 2010/04/27 APPR:MLONG 2010/04/27	QUALITY SYMBOLS	GENERAL TOLERANCES (UNLESS SPECIFIED)	DIMENSION STYLE	SCALE	DESIGN UNITS	THIRD ANGLE PROJECTION
	$\nabla_A = 0$ $\nabla_C = 0$ $\nabla_P = 0$	mm INCH	MM ONLY	NTS	METRIC	
	4 PLACES ± --- ± --- 3 PLACES ± --- ± --- 2 PLACES ± --- ± --- 1 PLACE ± --- ± --- ANGULAR ± ---°	DRAWN BY: DB DATE: 16/07/87 CHECKED BY: ATSEE DATE: 2010/04/27 APPROVED BY: MLONG DATE: 2010/04/27	TITLE	C-GRID III DUAL ROW RIGHT ANGLE HEADER		
	DRAFT WHERE APPLICABLE MUST REMAIN WITHIN DIMENSIONS	SEE TABLE SIZE: A3 THIS DRAWING CONTAINS INFORMATION THAT IS PROPRIETARY TO MOLEX INCORPORATED AND SHOULD NOT BE USED WITHOUT WRITTEN PERMISSION	MATERIAL NO. DOCUMENT NO.	MOLEX INCORPORATED SDA-90122 SHEET NO. 4 OF 6		

9 8 7 6 5 4 3 2 1

	10	9	8	7	6	5	4	3	2	1			
F		CIRCUIT SIZE	PLATING TYPE B PART NO.	PLATING TYPE C PART NO.	PLATING TYPE D PART NO.	PLATING TYPE G PART NO.		CIRCUIT SIZE	PLATING TYPE B PART NO.	PLATING TYPE C PART NO.	PLATING TYPE D PART NO.	PLATING TYPE G PART NO.	F
		2 X 1	90122-0281	90122-0441	90122-0601	90122-1081		2 X 1	90122-0201	90122-0361	90122-0521	90122-1001	
		2 X 2	▲ -0282	▲ -0442	▲ -0602	▲ -1082		2 X 2	▲ -0202	▲ -0362	▲ -0522	▲ -1002	
		2 X 3	-0283	-0443	-0603	-1083		2 X 3	-0203	-0363	-0523	-1003	
		2 X 4	-0284	-0444	-0604	-1084		2 X 4	-0204	-0364	-0524	-1004	
		2 X 5	-0285	-0445	-0605	-1085		2 X 5	-0205	-0365	-0525	-1005	
		2 X 6	-0286	-0446	-0606	-1086		2 X 6	-0206	-0366	-0526	-1006	
		2 X 7	-0287	-0447	-0607	-1087		2 X 7	-0207	-0367	-0527	-1007	
		2 X 8	-0288	-0448	-0608	-1088		2 X 8	-0208	-0368	-0528	-1008	
		2 X 9	-0289	-0449	-0609	-1089		2 X 9	-0209	-0369	-0529	-1009	
		2 X 10	-0290	-0450	-0610	-1090		2 X 10	-0210	-0370	-0530	-1010	
		2 X 11	-0291	-0451	-0611	-1091		2 X 11	-0211	-0371	-0531	-1011	
		2 X 12	-0292	-0452	-0612	-1092		2 X 12	-0212	-0372	-0532	-1012	
		2 X 13	-0293	-0453	-0613	-1093		2 X 13	-0213	-0373	-0533	-1013	
		2 X 14	-0294	-0454	-0614	-1094		2 X 14	-0214	-0374	-0534	-1014	
		2 X 15	-0295	-0455	-0615	-1095		2 X 15	-0215	-0375	-0535	-1015	
		2 X 16	-0296	-0456	-0616	-1096		2 X 16	-0216	-0376	-0536	-1016	
		2 X 17	-0297	-0457	-0617	-1097		2 X 17	-0217	-0377	-0537	-1017	
		2 X 18	-0298	-0458	-0618	-1098		2 X 18	-0218	-0378	-0538	-1018	
		2 X 19	-0299	-0459	-0619	-1099		2 X 19	-0219	-0379	-0539	-1019	
		2 X 20	-0300	-0460	-0620	-1100		2 X 20	-0220	-0380	-0540	-1020	
		2 X 21	-0301	-0461	-0621	-1101		2 X 21	-0221	-0381	-0541	-1021	
		2 X 22	-0302	-0462	-0622	-1102		2 X 22	-0222	-0382	-0542	-1022	
		2 X 23	-0303	-0463	-0623	-1103		2 X 23	-0223	-0383	-0543	-1023	
		2 X 24	-0304	-0464	-0624	-1104		2 X 24	-0224	-0384	-0544	-1024	
		2 X 25	-0305	-0465	-0625	-1105		2 X 25	-0225	-0385	-0545	-1025	
		2 X 26	-0306	-0466	-0626	-1106		2 X 26	-0226	-0386	-0546	-1026	
		2 X 27	-0307	-0467	-0627	-1107		2 X 27	-0227	-0387	-0547	-1027	
		2 X 28	-0308	-0468	-0628	-1108		2 X 28	-0228	-0388	-0548	-1028	
		2 X 29	-0309	-0469	-0629	-1109		2 X 29	-0229	-0389	-0549	-1029	
		2 X 30	-0310	-0470	-0630	-1110		2 X 30	-0230	-0390	-0550	-1030	
		2 X 31	-0311	-0471	-0631	-1111		2 X 31	-0231	-0391	-0551	-1031	
		2 X 32	-0312	-0472	-0632	-1112		2 X 32	-0232	-0392	-0552	-1032	
		2 X 33	-0313	-0473	-0633	-1113		2 X 33	-0233	-0393	-0553	-1033	
		2 X 34	-0314	-0474	-0634	-1114		2 X 34	-0234	-0394	-0554	-1034	
		2 X 35	-0315	-0475	-0635	-1115		2 X 35	-0235	-0395	-0555	-1035	
		2 X 36	-0316	-0476	-0636	-1116		2 X 36	-0236	-0396	-0556	-1036	
		2 X 37	-0317	-0477	-0637	-1117		2 X 37	-0237	-0397	-0557	-1037	
		2 X 38	-0318	-0478	-0638	-1118		2 X 38	-0238	-0398	-0558	-1038	
		2 X 39	▼ -0319	▼ -0479	▼ -0639	▼ -1119		2 X 39	▼ -0239	▼ -0399	▼ -0559	▼ -1039	
		2 X 40	90122-0320	90122-0480	90122-0640	90122-1120		2 X 40	90122-0240	90122-0400	90122-0560	90122-1040	

DIM C (±0.20) ±.008 (6.75) .266

DIM D (±0.25) ±.010 (2.90) .114

DIM C (±0.20) ±.008 (5.75) .226

DIM D (±0.25) ±.010 (2.90) .114

NOTES:
FOR PLATING VARIATIONS SEE
ENG.STD. SDES-99000-0003.

UPDATE TOL SYMMETRY	EC NO: S2010-0867	2010/04/15
	DRWN:SKANG	2010/04/17
	CHKD:ATSEE	2010/04/27
	APPR:MLONG	2010/04/27
	REV	
M1		

QUALITY SYMBOLS	▽ _A =0
	▽ _C =0
	▽ _B =0
GENERAL TOLERANCES (UNLESS SPECIFIED)	
	mm
	INCH
4 PLACES	± --- ± ---
3 PLACES	± --- ± ---
2 PLACES	± --- ± ---
1 PLACE	± --- ± ---
ANGULAR ± ---°	
DRAFT WHERE APPLICABLE MUST REMAIN WITHIN DIMENSIONS	

DIMENSION STYLE		SCALE	DESIGN UNITS	THIRD ANGLE PROJECTION
MM ONLY		NTS	METRIC	
DRAWN BY	DATE	TITLE		
DB	16/07/87	C-GRID III		
CHECKED BY	DATE	DUAL ROW RIGHT		
ATSEE	2010/04/27	ANGLE HEADER		
APPROVED BY	DATE	MOLEX INCORPORATED		
MLONG	2010/04/27	SDA-90122		
MATERIAL NO.	DOCUMENT NO.	SHEET NO.		
SEE TABLE		5 OF 6		

DRAWN BY		DATE	TITLE		
DB		16/07/87	C-GRID III		
CHECKED BY		DATE	DUAL ROW RIGHT		
ATSEE		2010/04/27	ANGLE HEADER		
APPROVED BY		DATE	MOLEX INCORPORATED		
MLONG		2010/04/27	SDA-90122		
MATERIAL NO.	DOCUMENT NO.	SHEET NO.			
SEE TABLE		5 OF 6			

